

## 19" Rackmount Flat Panel Monitor



### Features

- Bright 19" SXGA display
- Standard 15 Pin VGA input
- Optional DVI Input
- On Screen Display (OSD) controls
- Optional S-Video/ Composite Video Inputs
- Standard 19" Rack mount
- Highly visible 500:1 Typical Contrast Ratio
- Optional precision touchscreen

### Specifications

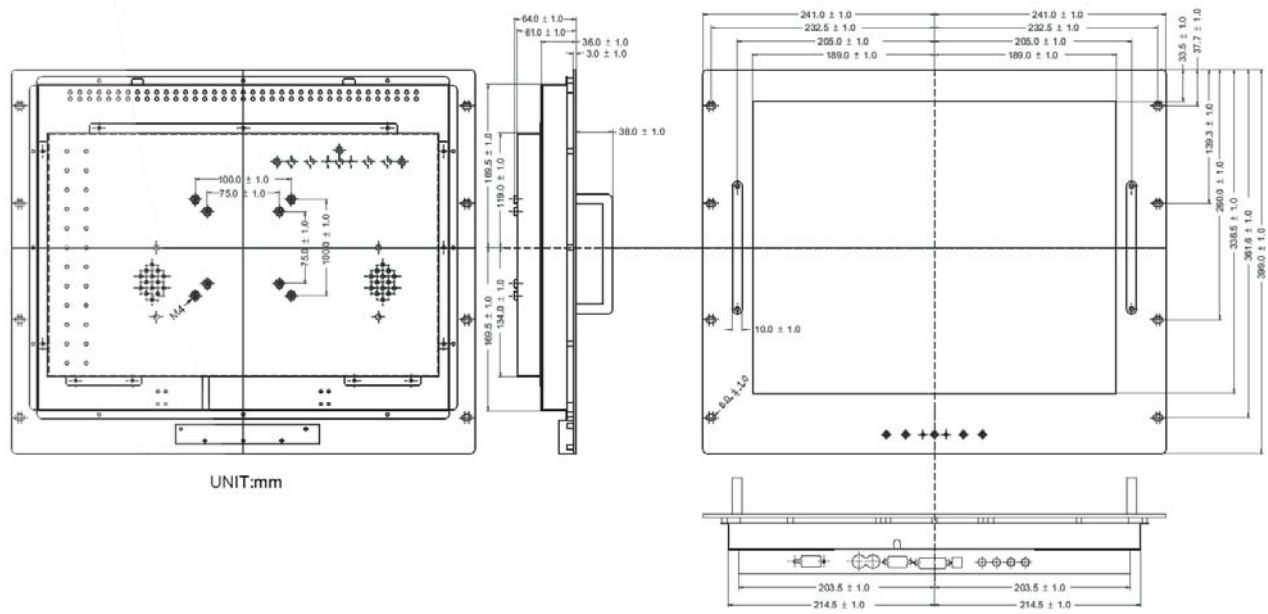
Viewable Size Image	19"	VGA Input	1x 15 pin D-sub
Active Display Area	376.32 (H) x 301.06 (V)	DVI Input	Optional DVI-D, Single Link
Pitch	0.294 (H) x 0.294 (V)	S-Video Input	Optional 4 pin Mini-DIN
Number of Pixels	1280 x 1024 (SXGA)	Composite Input	Optional RCA Connector
Contrast Ratio	800:1 (Typical)	Touchscreen	Optional Resistive, Capacitive, SAW
Display Color	16.2 M (6 bits + FRC)	PC Video Modes	VGA, SVGA, XGA, SXGA
Brightness (cd/m <sup>2</sup> )	300 (Typical)	Power Management	VESA DPMS Compliant
Viewing Angle (CR>=10)	-80~80° (H); -80~80° (V)	Plug & Play	VESA DDC 1/2B
Response Time	5 mS	Power	AC100~240V, Universal, +/-10%
Synchronization Range	31.5~80.0KHz / 60~75Hz	Dimensions	482x399x64mm (19.1x13.9x2.5")

ICE Computers designs and manufactures rugged computing solutions including Rackmount, Flat Panel Touchscreen, Panelmount, and Embedded Computers built to withstand challenging environmental and operational conditions. Our products incorporate the latest technology from ultra low power to high performance processors utilizing energy efficient power supplies and can be customized to meet your specific application

# IM19RK

## Dimensions

Units: mm



## Ordering Information

IR19RK	IR19RK Monitor, VGA Input, with integrated power supply
IR19RK-V	IR19RK Monitor, VGA Input, plus Video input, with integrated power supply
IR19RK-DVI	IR19RK Monitor, VGA and DVI Inputs, with integrated power supply
IR19RK-TR	IR19RK Monitor, VGA Input, with Resistive Touchscreen, with integrated power supply

Please contact us to discuss your application requirements

©2009 ICE Computers Inc. All specifications in this document are subject to change without notification. Please consult us up to date information and/or custom configurations

# ICE Computers

[www.ice.ca](http://www.ice.ca)

Cambridge, Ontario Canada

Phone: 519-249-1857 Fax: 519-249-0342

email: [sales@ice.ca](mailto:sales@ice.ca)